

Integrated X-ray Source IXS1203 Mini-Focus

120 kV, 36 W



Applications

Electronic Inspections, Food & Pharmaceutical Safety Inspections, Industrial NDT

Mini-Focus Generators
Compact and Versatile
Great Performance & Competitive Prices

Key Features

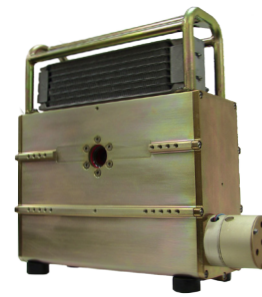
- Integrated High Voltage Generator, X-ray Tube, and Control Electronics
- High Resolution
- Compact and Robust
- Cone or Fan beam available for flat panel or line sensor detection
- Radiation Shielded
- User Friendly RS232 Digital Interface
- Ethernet & Wifi (optional)

Specifications

Input Line Range	115–230 VAC, 50/60 Hz
Output Voltage	40–120 kV
Output Current	0.05 - 0.3 mA
Output Power	36 W continuous maximum
Voltage Regulation	Load:<0.1% at max kV output over the output mA range Line:<0.1% at max kV output over the input line range
Current Regulation	Load:<0.5% at max mA output over the output kV range Line:<0.5% at max mA output over the input line range
Ripple	kV: <0.5% p-p of maximum output mA: <20µA p-p of maximum output
Repeatability	kV: <0.5% mA: <0.5%
Stability	kV: <0.01% per °C over the operational ambient temperature range
Overshoot	kV: ≤5% of rated output
Output Rise Time	Standard Rise Time ≤500 msec. from 10%–90% of max rated output
Cooling	External Air Cooling required

Radiation shield

Less than 0.5 mR/hr at 5 cm from the surface of the chassis as per FDA 21 CFR 1020.40



Cone Beam X-Ray Generator



Control Unit

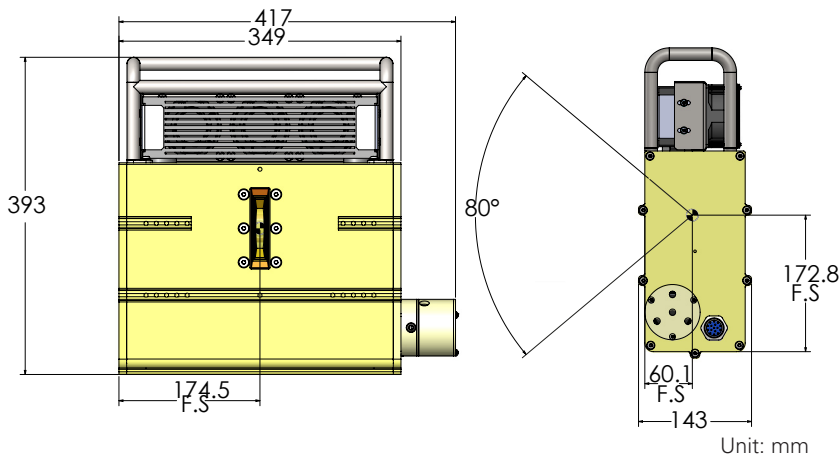
Safety and Regulatory Compliances	Designed to meet CE, CSA, TUV EN60950 and EN61010A-1
Dimensions	Generator: 417mm x 393mm x 143mm Control unit: 254mm x 247mm x 70mm
Weight	Generator: 23 kg Control unit: 3 kg
X-ray Tube	
X-ray	Glass
X-ray Focal Spot Size	50 µm
Beam Port	Fan beam: 80° X 10° max Cone beam: 30°, 40°
Operating Environment	
Operating Temperature	0°C to 40°C
Storage Temperature	-20°C to 85°C
Thermal Cut Off	60°C ± 3°C of oil temperature
Humidity	98% non-condensing



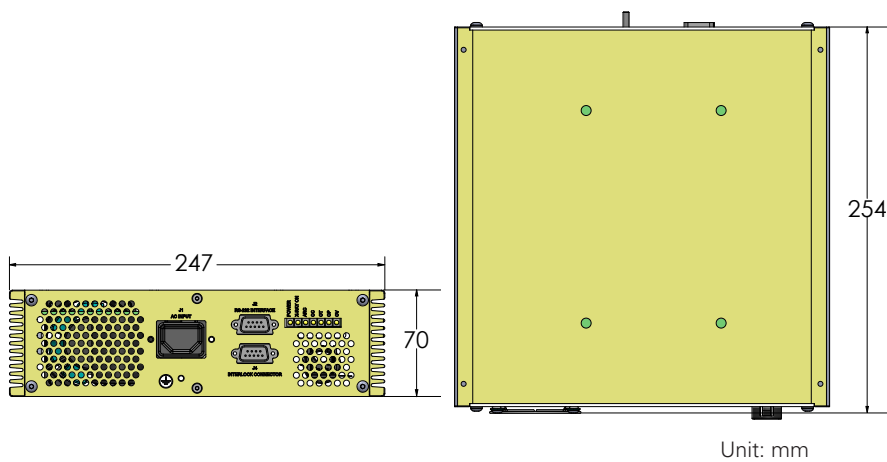
IXS1203 Mini-Focus

120 kV, 36 W

Generator



Control Unit



Graphical User Interface



LED Indicators

X-RAY ON	Illuminated when interlock is closed and HV is enabled
POWER	Illuminated when power is present
OV	Over voltage fault
OP	Illuminated when selected power exceeds the rated power
OC	Over current fault
ARC	ARC-ing fault
OT	Illuminated when oil temperature exceeds 60°C ± 3°C

J1: Interlock Connection/ X-ray On Relay

Pin Out	Name
1	Interlock out
2	Interlock in
3	X-ray On Relay contact common
4	X-ray On Relay contact N/C
5	X-ray On Relay contact N/O
6	N/A
7	N/A
8	N/A
9	N/A

J2: RS232 Interface

Pin Out	Name
1	N/A
2	TX-
3	RX+
4	N/A
5	SIGNAL GRD
6	N/A
7	N/A
8	N/A
9	N/A

J3: AC Input

N	Neutral
GND	Ground
L	90-264 VAC Input

VJ Technologies Offices

VJ Technologies Inc., 89 Carlough Road, Bohemia NY 11716 USA

East Haven CT

Littleton MA

Buford GA

Paris, France

Bengaluru, India

Suzhou, China

www.vjt.com

Email: IXSales@vjt.com

Tel: +1 631 589 8800 ext. 1103

© VJ Technologies Inc. 07/2014 Rev 2